

Bendi®



MODEL B40i4

4-WHEEL BENDI

LP GAS ENGINE POWERED

MULTI-PURPOSE ARTICULATED FORKLIFT

The Landoll Bendi B40i4 is a 4-wheel, articulating, LP Gas Engine Powered, narrow aisle forklift that maximizes cube utilization while providing front loader versatility. Increased productivity, operator comfort and safety are the primary benefits.

STANDARD FEATURES

- 4,000 lbs. (1,818kg) Capacity at 24" (600mm) Load Center
- Tier IV Certified, LP Gas, 2.4L, GM Vortec Engine
- On Demand Electronic Fuel Injection for Increased Fuel Efficiency
- CAN-Bus Electronics for Integrated Control of Drive, Lift and Steering
- Simplified Maintenance, Diagnostics and Calibration thru Dash Display
- Dash Display with Hour Meter, Fuel Gauge and Engine Monitoring
- Via-Sonic Fuel Level Sensor with 99.5% Accuracy
- Heavy Duty Dual Rear Wheel Hydraulic Wheel Motors
- Single Hydrostatic Pump for Traction and Hydraulics
- Automatic Hydrostatic Braking and Foot Activated Hydraulic Parking Brake
- Lift Heights to 360" (9.14M)
- 78" (1.98M) Stacking Aisle With 48" (1,200mm) Long Load
- High Visibility 3-stage or 4-stage mast
- Integral 11.2" (285mm) Stroke Sideshifter and 36" (914mm) High Load Backrest
- Dual Inside/Outside Capability
- Articulated 42" (1,067mm) Wide Floating Front Axle
- Large Diameter Smooth Rubber Drive Tires
- Polyurethane Load Tires
- 180° front-end "DuraSteer" Articulation/Steering Assembly With Extended Warranty
- Comfortable Seated Operation with all Truck Controls within Easy Reach
- Adjustable Vinyl Suspension Swivel Seat
- Armrest and Adjustable Steering Column, Key Switch, Horn and Seatbelt
- Hydraulic Power Steering
- 4-post Heavy-Duty Overhead Guard
- Safety Deadman Seat Switch
- Heavy Duty Unitized Robotic Welded Chassis Design
- Provisions for RF Terminals Provided
- Accepts Class II Attachments
- Easily Accessible Components for Low Cost Maintenance

OPTIONAL FEATURES

- Non-Standard Fork Lengths or Load Backrest
- LED Headlights, Flashing Light and Rear Safety Lights
- Beeping Back up Alarm
- Integral Side Shifting Fork Positioner
- Auxiliary Hydraulics
- Non Marking Tires
- Cloth Seat
- Fire Extinguisher
- Lazer Fork Height Indicator
- Carriage Mounted Camera with Operator Compartment Monitor

Bendi B40i4 4,000lbs (1,818 kg)

LP Gas Engine Powered

Multi-Purpose Articulated Forklift

TECHNICAL & DIMENSION DATA

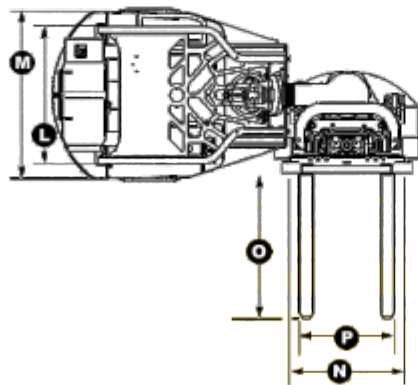


TECHNICAL DATA

MODEL			B40i4
Capacity	At 24" (600mm) Load Center	lbs/kg	4,000 / 1,818
Truck Weight	With Battery	lbs/kg	13,140 / 5,972
Travel Speed	Loaded	mph/kph	8 / 13
	Unloaded	mph/kph	8 / 13
Lift Speed	Loaded	fpm/mpm	90 / 27.4
	Unloaded	fpm/mpm	110 / 33.4
Lowering Speed	Loaded	fpm/mpm	100 / 30.5
	Unloaded	fpm/mpm	90 / 27.4
Mast Tilt	Back/Fwd - Up to 293° (7.44M)	deg.	3 / 3
	Back/Fwd. - 294° (7.45M to 360° (9.14M)	deg.	2 / 1
HP Rating	LP Gas Engine @ 3,000 RPM	HP	67
Load Center	E	in/cm	12 / 310
Wheelbase	F	in/cm	69 / 1,75
Rear Overhang	G	in/cm	28 / 71
Overall Length to Fork Face	H	in/cm	109 / 277
Underclearance	I	in/cm	10 / 25
Operator Floor Height	J	in/cm	31 / 79
Overhead Guard Height	K	in/cm	87 / 221
Overhead Guard Width	L	in/cm	40 / 101
Overall Width	M	in/cm	49 / 124.5
Fork Carriage Width	N	in/cm	41 / 104
Fork Length	O	in/cm	40 / 101
Out to Out Fork Spread	P	Minimum / Maximum	in/cm 9.4-39.5 / 24-100
Intermediate Step Height	Q	in/cm	19 / 48
Right Angle Stacking Aisle	with 48"Lx40"W (1200mm x 1000mm) Load	in/cm	78 / 198
Intersecting Aisle		in/cm	114 / 289
Gradeability	Loaded / Unloaded	%	15 / 15
Wheel sizes	Front 2 Each Poly-Dia. x Face	in/cm	14x5 / 36x13
	Rear 2 Each Rubber-Dia. x Face	in/cm	18x7x12 / 46x18x30

AISE DIMENSIONS

LOAD DEPTH X WIDTH	MINIMUM CLEAR AISLE
40" x 48" (1,000 x 1,200 mm)	72" (1,828 mm)
48" x 40" (1,200 x 1,000 mm)	78" (1,981 mm)
TRANSFER or END AISLE	114" (2,895 mm)

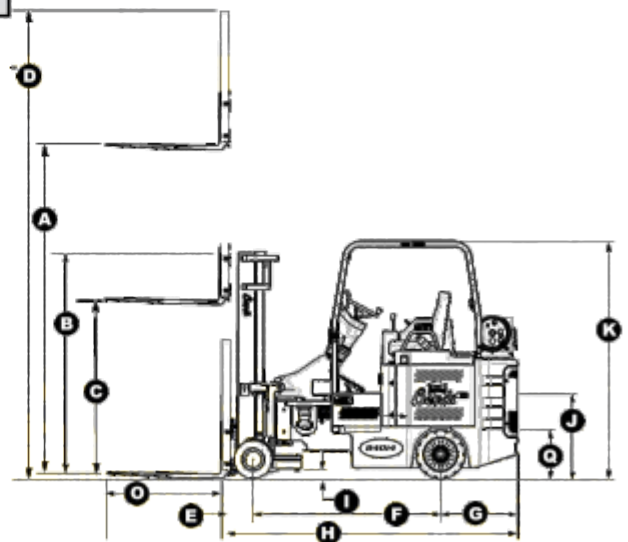


MAST DIMENSIONS

MAST OPTIONS							
Lift Height (A)		Lowered Height (B)		*Free Lift (C)		**Overall Height (D)	
In.	M	In.	M	In.	M	In.	M
Triple (3 Stage) Mast							
188	4.78	83	2.11	47	1.19	224	5.69
198	5.03	87	2.21	51	1.30	234	5.94
216	5.49	95	2.41	59	1.50	252	6.40
224	5.69	98	2.49	62	1.57	260	6.60
240	6.10	106	2.69	70	1.78	276	7.01
258	6.55	115	2.92	79	2.01	294	7.47
272	6.91	121	3.07	85	2.16	308	7.82
294	7.47	128	3.25	92	2.34	330	8.38
312	7.92	132	3.35	96	2.44	348	8.84
322	8.18	137	3.48	101	2.57	358	9.09
360	9.14	156	3.96	120	3.05	396	10.06
Quad (4 Stage) Mast							
250	6.35	87	2.21	51	1.30	286	7.26
258	6.55	89	2.26	53	1.63	294	7.47
276	7.01	95	2.41	59	1.78	312	7.92
294	7.47	101	2.57	65	1.65	330	8.38
312	7.92	107	2.72	71	1.80	348	8.84

* Free Lift Based on 36" (914mm) High Load Backrest

** Overall Height Based on 36" (914 mm) High Load Backrest



The specifications contained in this spec sheet are subject to change at any time without notice. Actual dimensions and performance data given herein may vary due to manufacturing tolerances.